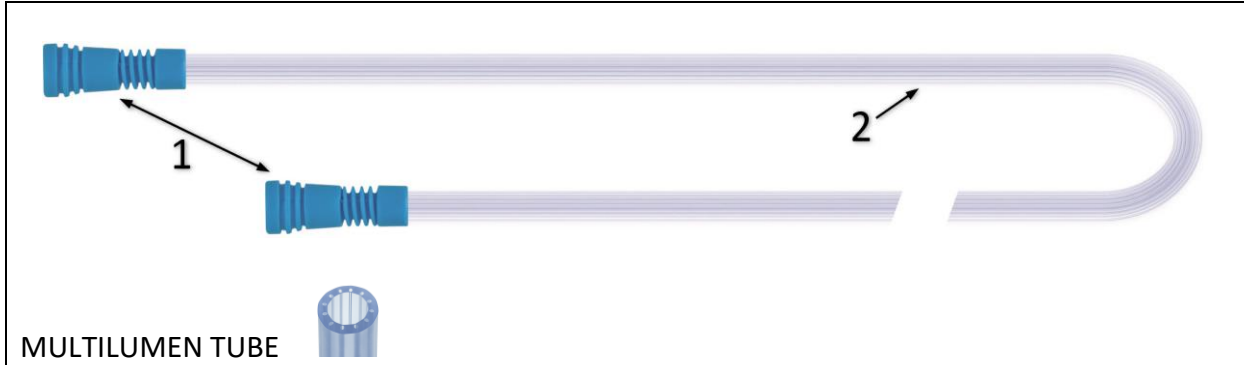


CONNECTING TUBE

REF. NO. 1301 0750 80 ML / 1301 1500 80 ML / 1301 1800 80 ML / 1301 2100 80 ML
 1301 2500 80 ML / 1301 3000 80 ML / 1301 3500 80 ML / 1301 4000 80 ML
 1301 5000 80 ML / 1301 6000 80 ML



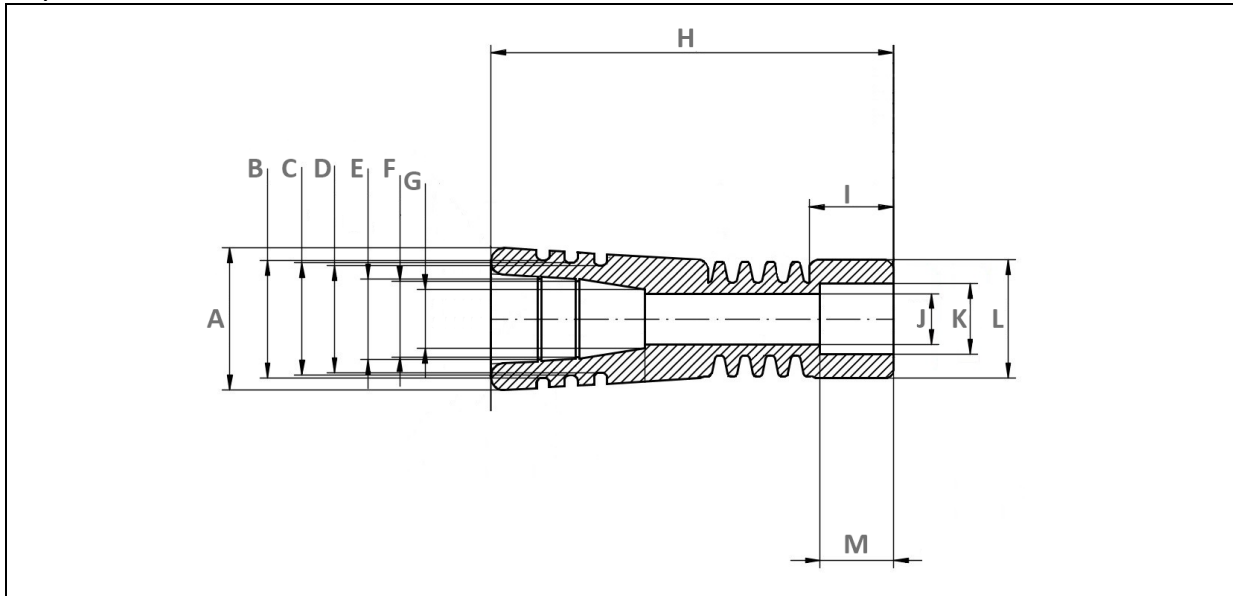
COMPONENT DESCRIPTION

COMPONENT NO.

1. FUNNEL 7.9

Material: FEA 508 N T141 – PVC 50°ShoreA, DEHP-FREE
 Dye material: Eva No. 161666, blue

0.00000079



REQUIREMENT (mm)						
A	B	C	D	E	F	G
16.8 (± 0.1)	13.9 (± 0.1)	13.3 (± 0.1)	12.7 (± 0.1)	9.53 (± 0.1)	8.98 (± 0.1)	7.0 (± 0.1)
H	I	J	K	L	M	
46.0 (± 0.1)	10.0 (± 0.1)	6.0 (± 0.1)	7.9 (± 0.1)	13.8 (± 0.1)	8.7 (± 0.1)	

2. TUBE

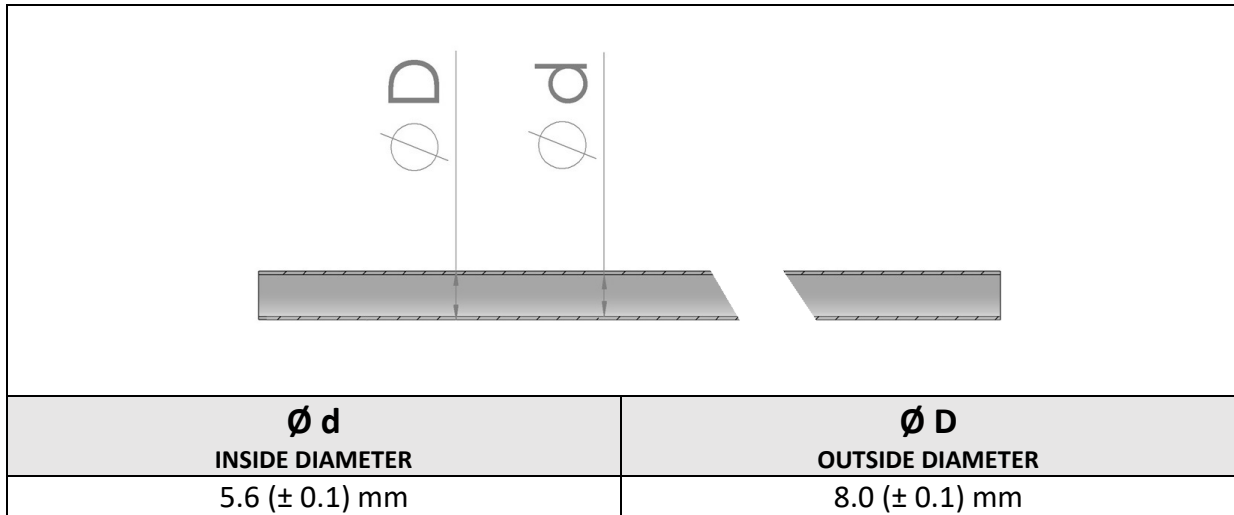
COMPONENT NO.

MultiLumen transparent tube.

Material: FEA 768 N T01 – PVC 76°ShoreA, DEHP – FREE

- 1301 0750 80 ML – length: 700 (± 7) mm 0.56070080
- 1301 1500 80 ML – length: 1400 (± 14) mm 0.56140080
- 1301 1800 80 ML – length: 1700 (± 17) mm 0.56170080
- 1301 2100 80 ML – length: 1900 (± 19) mm 0.56190080

- 1301 2500 80 ML – length: 2350 (± 23.5) mm 0.56235080
- 1301 3000 80 ML – length: 2900 (± 29) mm 0.56290080
- 1301 3500 80 ML – length: 3400 (± 34) mm 0.56340080
- 1301 4000 80 ML – length: 3900 (± 39) mm 0.56390080
- 1301 5000 80 ML – length: 4900 (± 49) mm 0.56490080
- 1301 6000 80 ML – length: 5900 (± 59) mm 0.56590080


PACKAGING MATERIAL
COMPONENT NO.

Inner bag (0750/1500/1800/2100) 150 x 300 mm		2.15030004
Inner bag (2500) 150 x 360 mm		2.15036004
Inner bag (3000/3500/4000) 180 x 380 mm		2.18038004
Inner bag (5000/6000) 250 x 500 mm		2.25050004
Peel pack (0750/1500/1800/2100) 190 x 270 mm		5.19027410
Peel pack (2500/3000/3500/4000) 200 x 350 mm		5.20035410
Pouch (5000/6000) 270 x 520 mm		5.27052010
Label on pouch (5000/6000) 85 x 131 mm		7.00085131
Outer bag (0750/1500/1800/2100/2500) 260 x 600 mm	25 pcs/bag	2.26060010
Outer bag (3000/3500/4000) 310 x 600 mm	25 pcs/bag	2.31060010
Outer bag (5000/6000) 310 x 600 mm	15/10 pcs/bag	2.31060010
Box (0750/1500/1800/2100) 386 x 386 x 260 mm	100 pcs/box	6.38638626
Box (2500) 386 x 386 x 196 mm	50 pcs/box	6.38638619
Box (3000/3500/4000) 386 x 386 x 260 mm	50 pcs/box	6.38638626
Box (5000/6000) 590 x 386 x 260 mm	25 pcs/box	6.59038626
Label on the box 85 x 131 mm		7.00085131
Work instruction		QI 01
Packaging instruction		QI 04

Comments:

Number of coils: 0750 – 2 coils, 1500 – 3 coils, 1800/ 2100/ 2500 – 4 coils, 3000 – 5 coils, 3500/ 4000/ 5000 – 6 coils, 6000 – 7 coils.