



EasyOne Filter

It's not just a filter. It's the *EasyOne Filter*.



The *EasyOne Filter* meets the 2019 ATS/ ERS spirometry standards for accuracy.



Optimal fit for minimal resistance, while still providing high quality test results.

Trust the *EasyOne Filter* from ndd.

A spirometry filter solution by the spirometry experts.



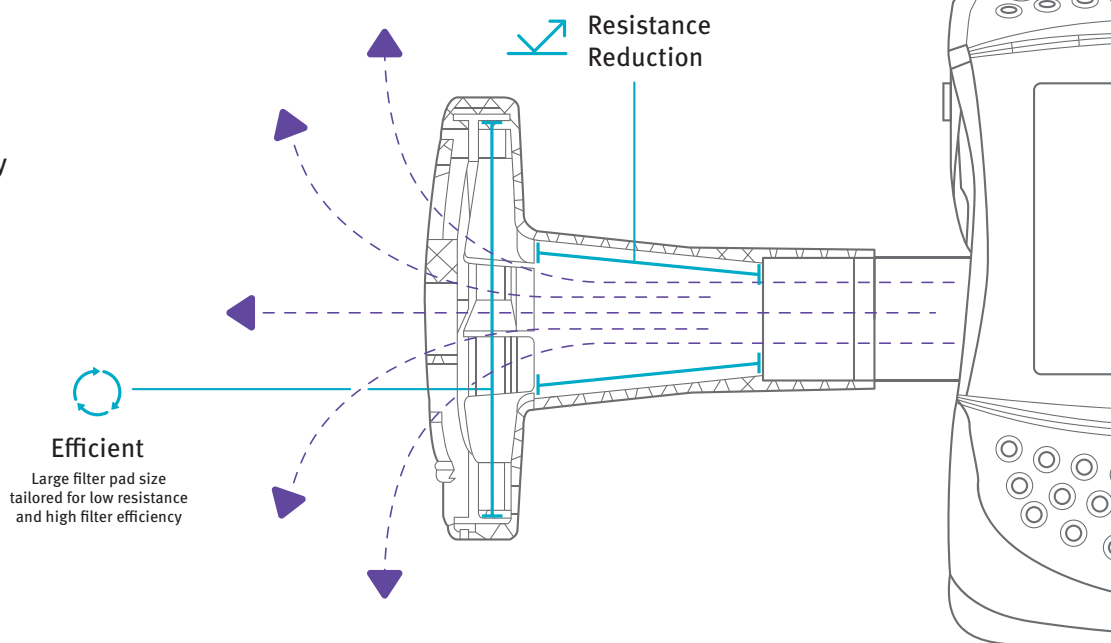
Low resistance for high quality spirometry



Optimal filter efficiency & accuracy



Unique patented technology*



Specifications

Filter properties, tested at Nelson Labs (US)

- Bacterial Filtration Efficiency (BFE): 99.99%
- Viral Filtration Efficiency (VFE): 99.99%

Filter pad material: Electrostatic fibers

Dead space: ≤ 60 ml

Resistance: ≤ 1.5 cm H₂O s/L

Waveform test

- Passes ISO 26782 waveform testing required by ATS/ERS (2019)

Part number

2091-422: *EasyOne Filter* FT box of 100 pcs.

2091-412: *EasyOne Filter* SP box of 100 pcs.

Unique design

*patent pending

The unique *EasyOne Filter* with its innovative diffuser guarantees highly accurate measurements while ensuring high filter efficiency, low flow resistance, and minimal dead space volume.

Trending results of expiratory data with and without filter are equivalent. Fully compliant with the 2019 ATS/ERS standards.