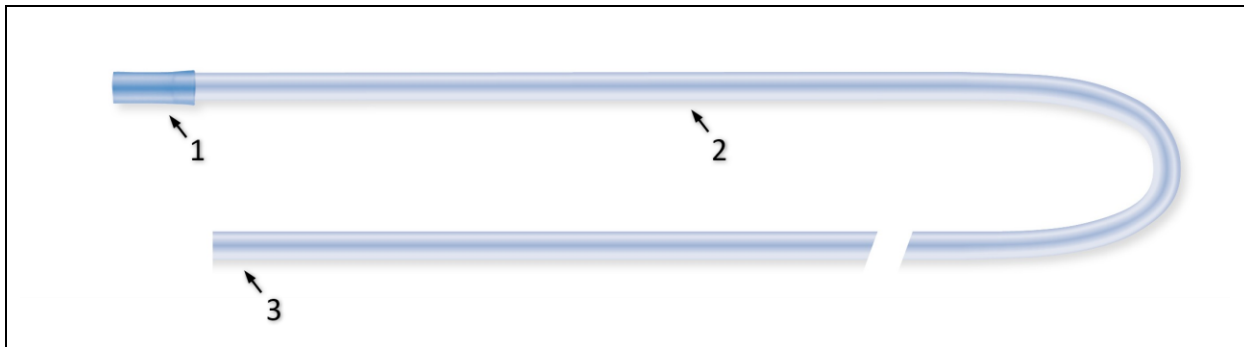
	TITLE: DEVICE MASTER RECORD	
	QUALITY FILE	Ref. no.: QF 04-5
	Revision: 5	Page 1 of 2
	Issue date: 15.07.1998	Effective date: 13.03.2025

CONNECTING TUBE

REF. NO. **1312 2000 13 TP**



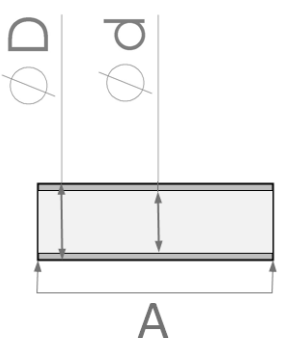
COMPONENT DESCRIPTION

COMPONENT NO.

1. TUBE PIECE TP

Material: FEA 738 N T141 – PVC 73°ShoreA, DEHP – FREE

1.13004016

		
∅ d INSIDE DIAMETER	∅ D OUTSIDE DIAMETER	A LENGTH
13.0 (± 0.1) mm	16.7 (± 0.1) mm	40 (± 0.2) mm

2. TUBE

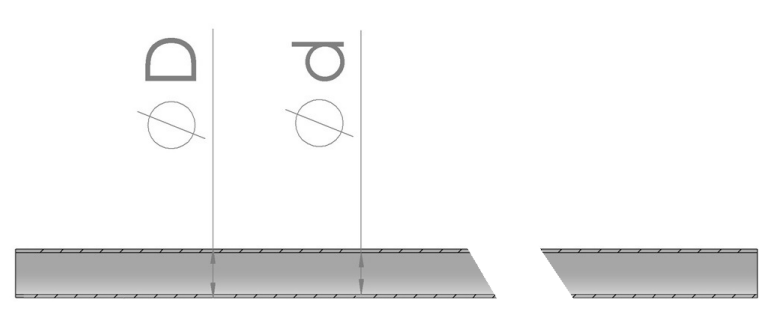
COMPONENT NO.


Flexible transparent tube with ribs.

Material: FEA 738 N T141 – PVC 73°ShoreA, DEHP – FREE

- 1304 2000 13 TP – length: 1900 (±19) mm

0.90190013

	
∅ d INSIDE DIAMETER	∅ D OUTSIDE DIAMETER
9.0 (- 0.3) mm	13.0 (- 0.4) mm

	TITLE: DEVICE MASTER RECORD	
	QUALITY FILE	Ref. no.: QF 04-5
	Revision: 5	Page 2 of 2
	Issue date: 15.07.1998	Effective date: 13.03.2025

3. NO FUNNEL

PACKAGING MATERIAL

Inner bag 180 x 380 mm
 Peel pack 200 x 350 mm
 Outer bag 310 x 600 mm
 Box 386 x 386 x 196 mm
 Label on the box 85 x 131 mm

12/13 pcs/bag
25 pcs/box

COMPONENT NO.

2.18038004
 5.20035410
 2.31060005
 6.38638619
 7.00085131

Work instruction

QI 01

Packaging instruction

QI 04

Comments:

Number of coils:
 2000 mm – **3 coils**