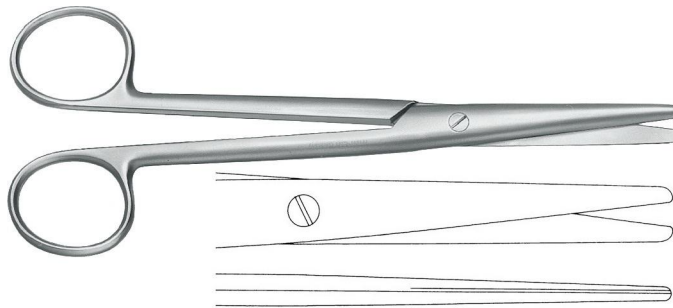


GLORIOUS ENTERPRISES

PRODUCT SHEET

Products Name: MAYO SCISSORS 15CM STRAIGHT GQ



Glorious Art nr.	42.0330.15GQ
Finish:	Sand blast
Net weight:	0.060 gram (approximate)
Material:	Stainless steel AISI 420J2
Sterility:	Non-Sterile (Re-Usable)
Exposure Temperature:	134°C (274°F)
Exposure Time:	3 Minutes
CE Classification:	Class-I
Storage:	16°C to 30°C (Store the instruments in a closed cabinet, protected from dust, moisture and temperature fluctuations)
Shelf life:	3 years
life-span:	20 times of use:- after each use, product need to sterilize for ready to use in next operation or next surgery.
Disposal:	No special decomposition or disposal required for Surgical Instruments as they don't contain any toxic or hazardous material